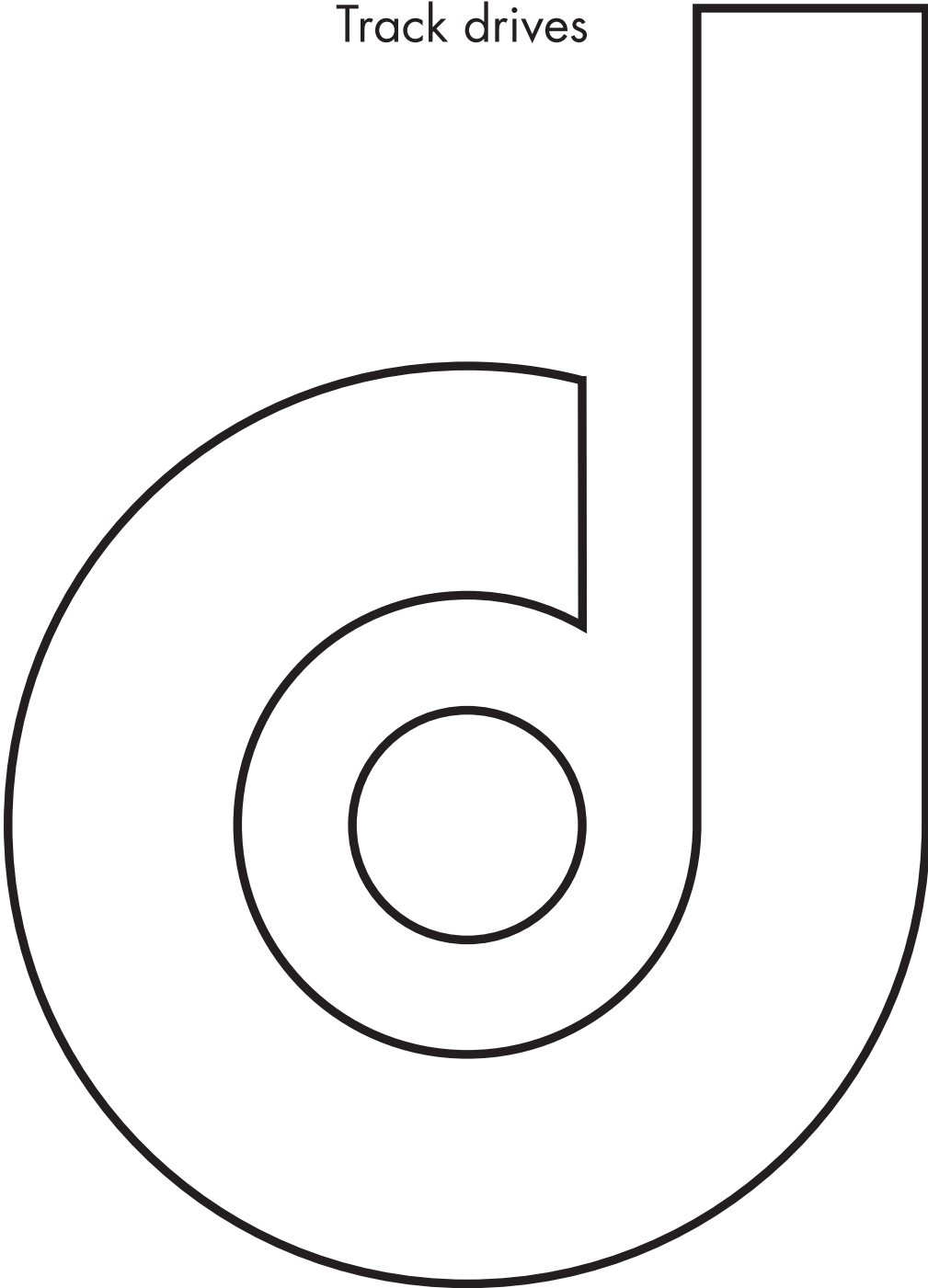
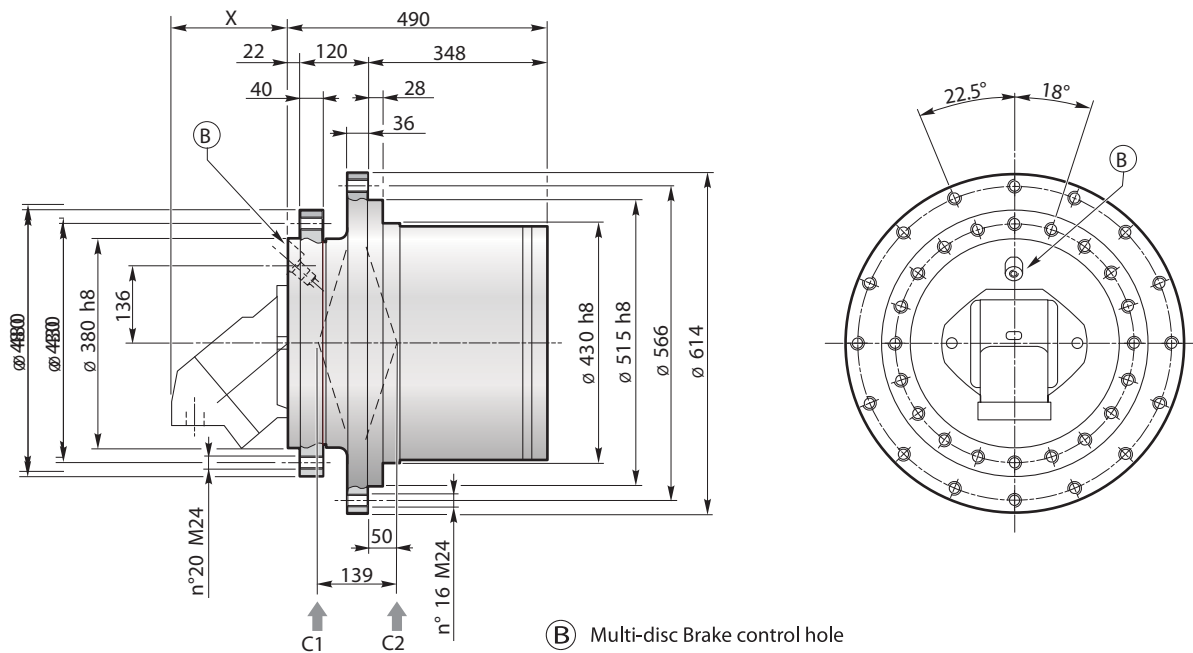


Track drives



TECHNICAL DATA

Size	Maximum output torque [Nm]	Capacity of bearing [kN]	
		Cd dynamic	Co static
EH 10000 SC	100000	512	1080
EH 13000 SC	150000	512	1080
EH 16000 SC	170000	765	1660
EH 22000 SC	240000	765	1660
EH 26000 SC	280000	1080	2360
EH 33000 SC	350000	1120	2550
EH 33000 W	350000	1120	2550
EH 45000 SC	450000	1120	2550
EH 60000 SC	685000	1380	3050
EH 70000 SC	865000	1380	3050



Equipped with Hydraulic motor

VOAC F12-60	X = 146	VOAC F12-80	X = 157	VOAC F12-110	X = 175
SAUER 51C060	X = 207	SAUER 51C080	X = 212	SAUER 51C110	X = 219

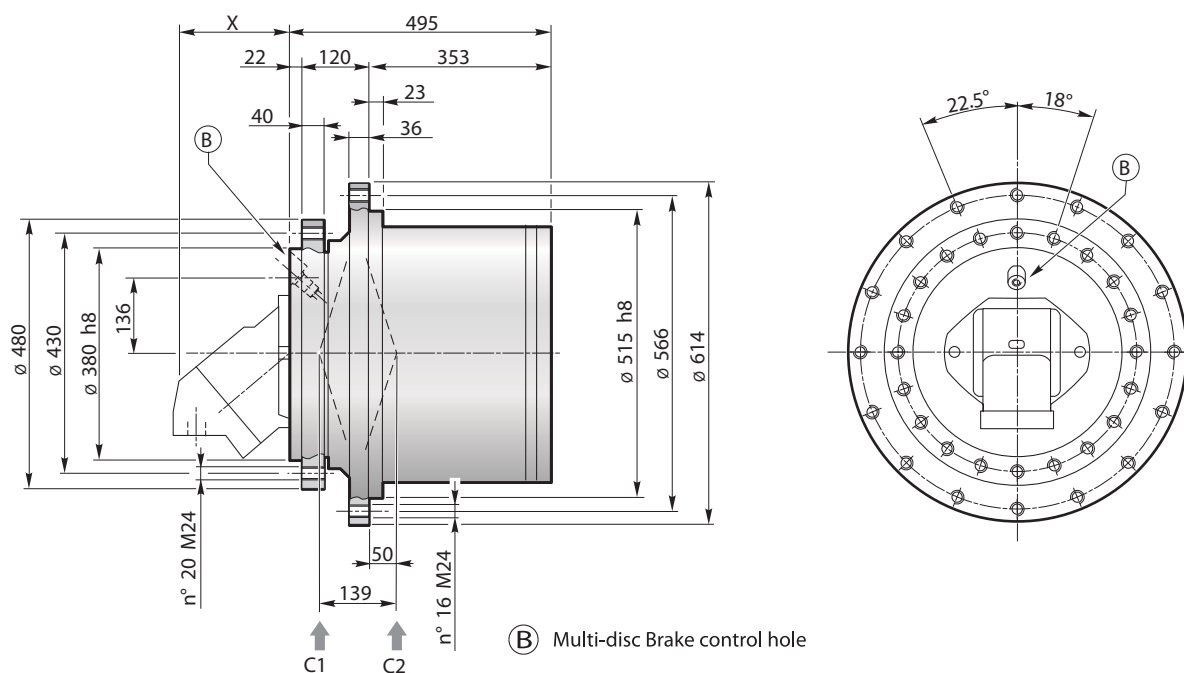
Different input execution available on demand.

Output dimension

Maximum output torque	Capacity of bearings		Weight without motor	Oil Quantity	Brake torque	Opening pressure	Max. brake pressure
	Cd dynamic [kN]	CO static [kN]					
[Nm]			[kg]	[liters]	[Nm]	[bar]	[bar]
100000	512	1080	410	6.5	1500÷460	42÷17	300

Effective Reduction Ratio

76.1	86	101.3	114.4	124.2	132.4	140.2	153.9
173.7	185.4	209.3					



B Multi-disc Brake control hole

Equipped with Hydraulic motor

VOAC F12-80	X = 157	VOAC F12-110	X = 175		
SAUER 51C080	X = 212	SAUER 51C110	X = 219	SAUER 51C160	X = 240

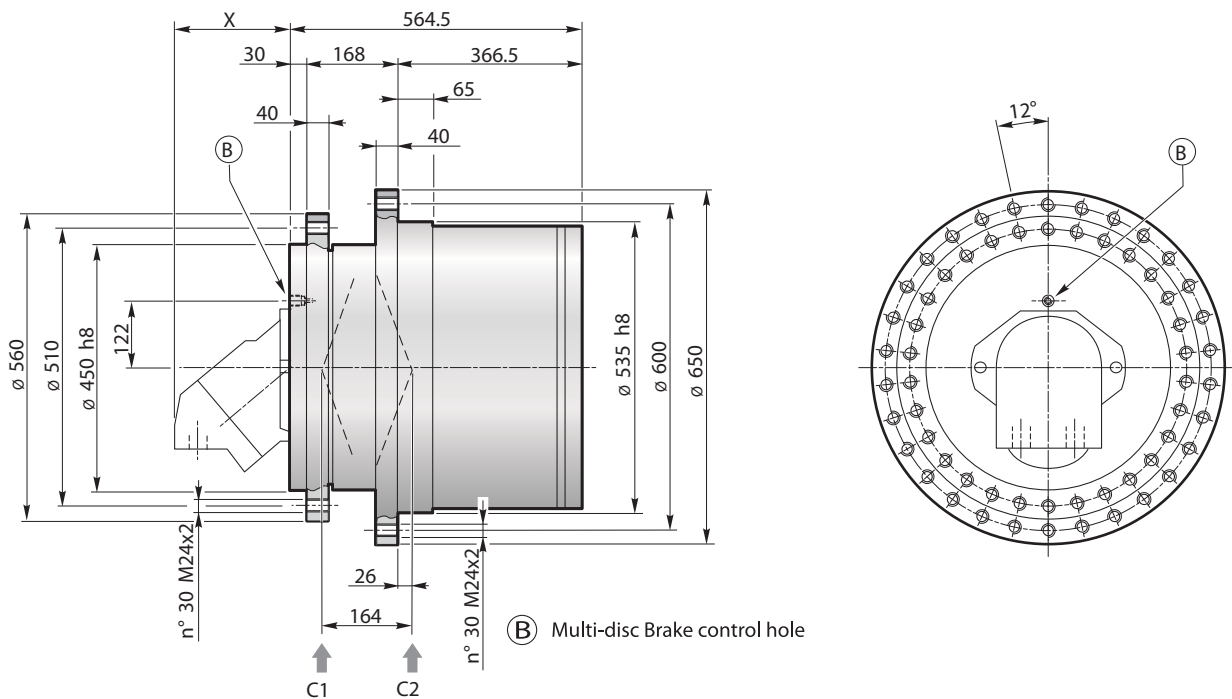
Different input execution available on demand.

Output dimension

Maximum output torque	Capacity of bearings		Weight without motor	Oil Quantity	Brake torque	Opening pressure	Max. brake pressure
	Cd dynamic [kN]	CO static [kN]					
[Nm]			[kg]	[liters]	[Nm]	[bar]	[bar]
150000	512	1080	440	7.5	2200÷650	42÷17	300

Effective Reduction Ratio

76.1	86	101.3	114.4	124.2	131	140.2	149
168.1	175.3	197.8	214.8	242.3			



Equipped with Hydraulic motor

VOAC F12-110	X = 175	VOAC F11-150 CETOP	X = 307		
SAUER 51C110	X = 219	SAUER 51C160	X = 240		

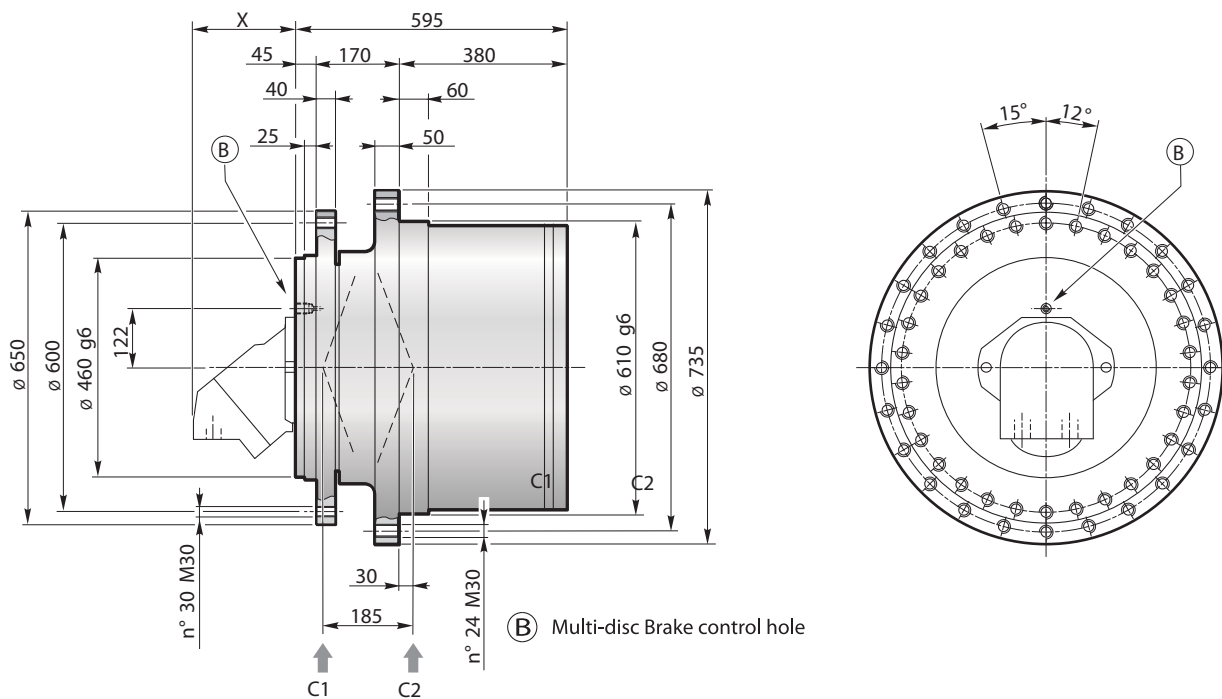
Different input execution available on demand.

Output dimension

Maximum output torque	Capacity of bearings		Weight without motor	Oil Quantity	Brake torque	Opening pressure	Max. brake pressure
	Cd dynamic [kN]	CO static [kN]					
[Nm]			[kg]	[liters]	[Nm]	[bar]	[bar]
170000	765	1660	680	11.5	2200±700	50±20	300

Effective Reduction Ratio

85.2	96.2	109.2	123.2	141.7	160	182.1	188.4
212.6	227.8	257.1					



Equipped with Hydraulic motor

VOAC F11-150 CETOP	X = 307	VOAC F11-250	X = 431
SAUER 51C160	X = 239	SAUER 51V250	X = 460

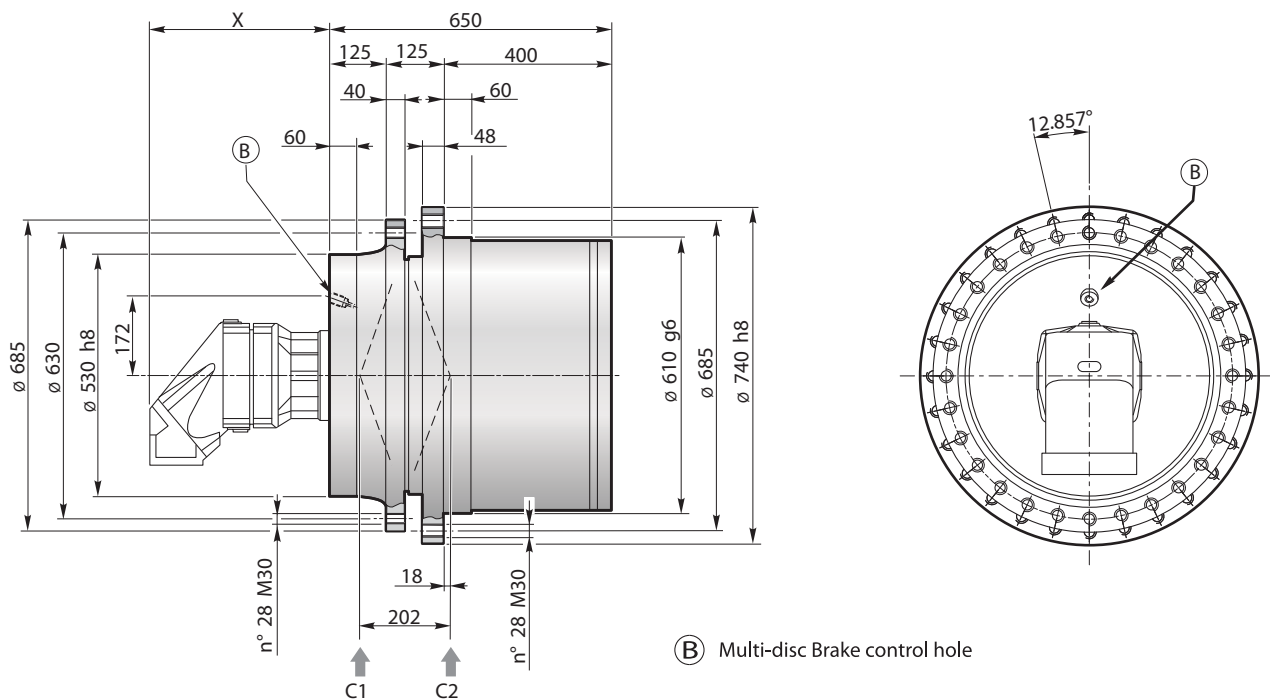
Different input execution available on demand.

Output dimension

Maximum output torque	Capacity of bearings		Weight without motor	Oil Quantity	Brake torque	Opening pressure	Max. brake pressure
	Cd dynamic [kN]	C0 static [kN]					
[Nm]			[kg]	[liters]	[Nm]	[bar]	[bar]
240000	765	1660	880	15	2350÷950	50÷20	300

Effective Reduction Ratio

86.6	97.6	112.6	127.1	142.7	151.9	161.1	168.1
182.3	211	223.3	252				



Equipped with Hydraulic motor

VOAC F11-250	X = 431		
SAUER 51V250	X = 460	SAUER 51C160	X = 239

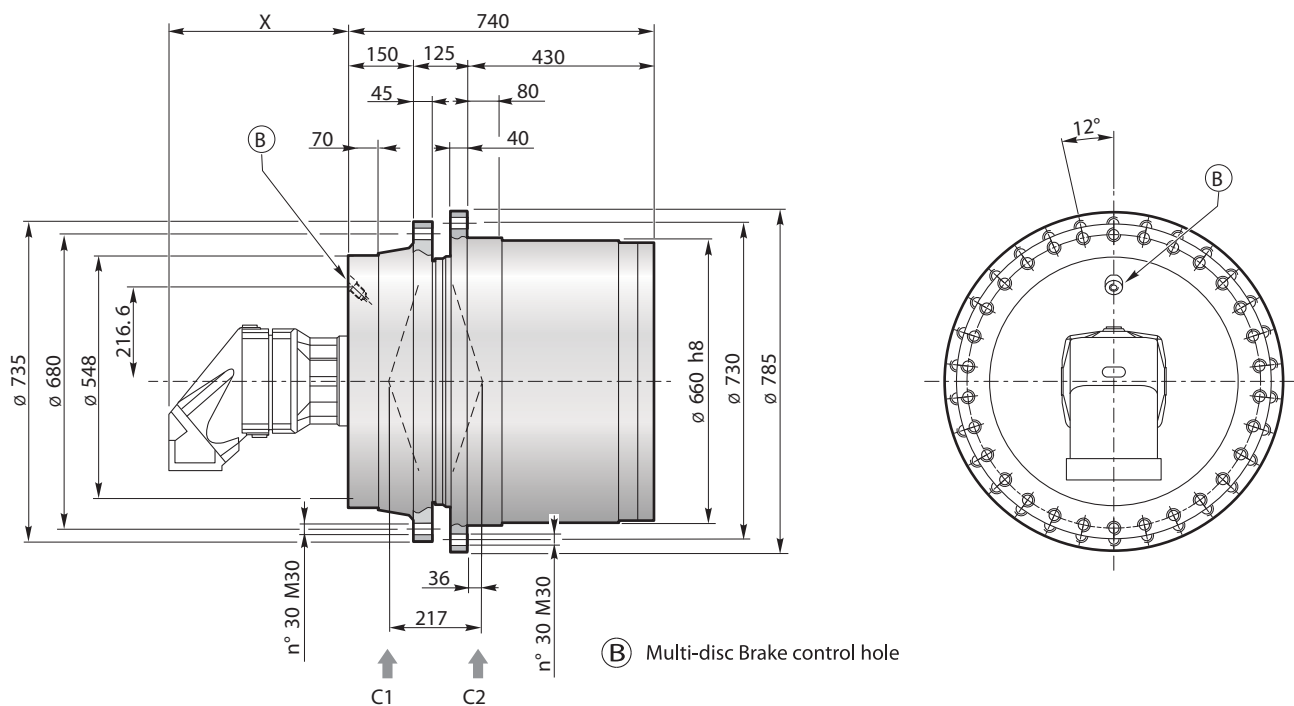
Different input execution available on demand.

Output dimension

Maximum output torque	Capacity of bearings		Weight without motor	Oil Quantity	Brake torque	Opening pressure	Max. brake pressure
	Cd dynamic [kN]	C0 static [kN]					
[Nm]			[kg]	[liters]	[Nm]	[bar]	[bar]
280000	1080	2360	980	18	2500÷1100	50÷20	300

Effective Reduction Ratio

86.6	97.6	112.6	127.1	142.7	151.9	161.1	168.1
182.3	211	223.3	252				



Equipped with Hydraulic motor

VOAC F11-250	X = 431				
SAUER 51V250	X = 460				

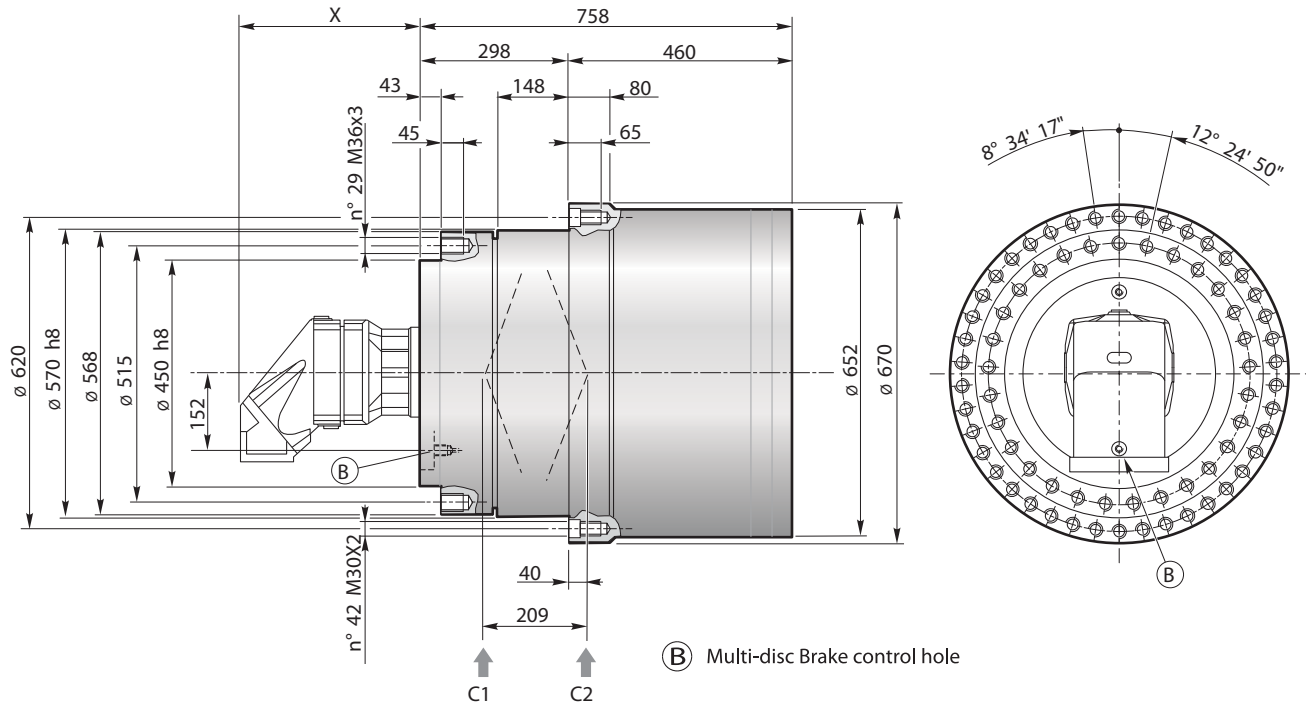
Different input execution available on demand.

Output dimension

Maximum output torque	Capacity of bearings		Weight without motor	Oil Quantity	Brake torque	Opening pressure	Max. brake pressure
	Cd dynamic [kN]	C0 static [kN]					
[Nm]			[kg]	[liters]	[Nm]	[bar]	[bar]
350000	1120	2550	1280	21	3550÷1350	40÷20	300

Effective Reduction Ratio

86.6	97.6	112.6	127.1	142.7	151.9	161.1	182.3
211	223.3	252					



Equipped with Hydraulic motor

VOAC F11-250	X = 431
SAUER 51V250	X = 460

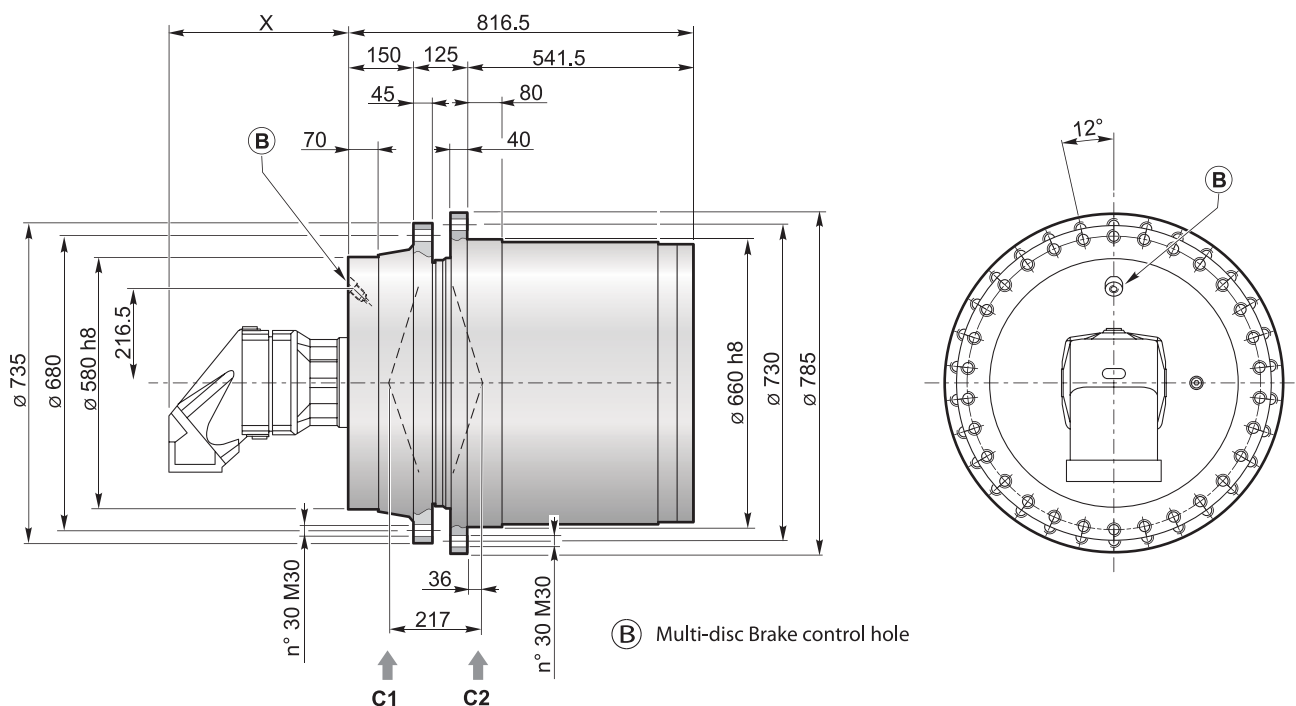
Different input execution available on demand.

Output dimension

Maximum output torque	Capacity of bearings		Weight without motor	Oil Quantity	Brake torque	Opening pressure	Max. brake pressure
	Cd dynamic [kN]	CO static [kN]					
[Nm]			[kg]	[liters]	[Nm]	[bar]	[bar]
350000	1120	2550	1280	25	3550÷1350	40÷20	300

Effective Reduction Ratio

86.6	97.6	112.6	127.1	142.7	151.9	161.1	182.3
211	223.3	252					



Equipped with Hydraulic motor

VOAC F11-250	X = 431				
SAUER 51V250	X = 460				

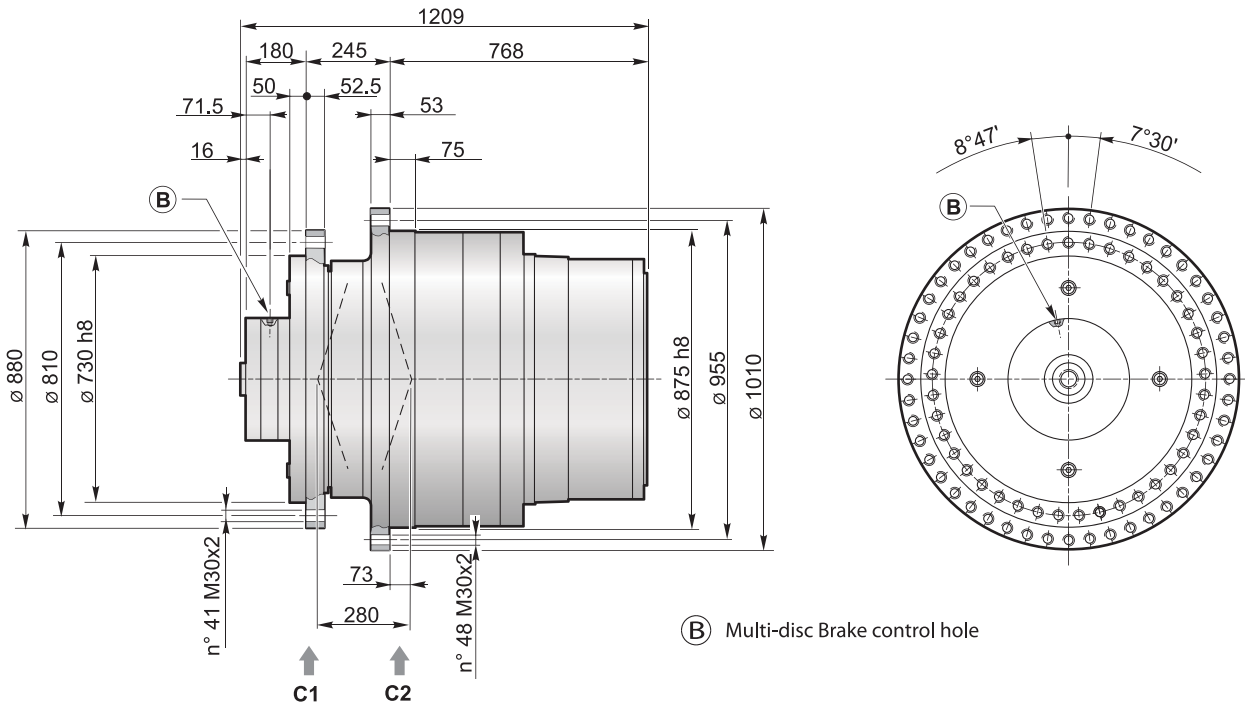
Different input execution available on demand.

Output dimension

Maximum output torque	Capacity of bearings		Weight without motor	Oil Quantity	Brake torque	Opening pressure	Max. brake pressure
	Cd dynamic [kN]	C0 static [kN]					
[Nm]			[kg]	[liters]	[Nm]	[bar]	[bar]
450000	1120	2550	1560	24	3750÷1500	40÷20	300

Effective Reduction Ratio

85.2	95.9	110.7	132.3	140.3	158.8	183.8	219.6
------	------	-------	-------	-------	-------	-------	-------



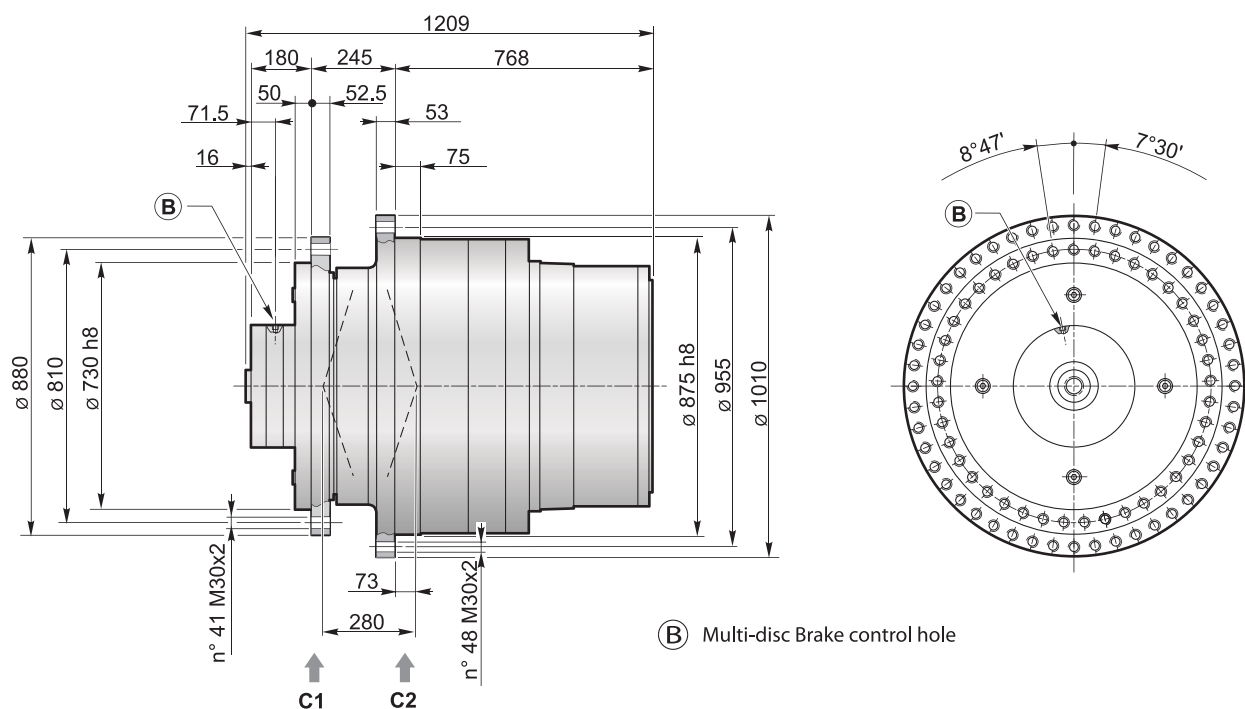
Hydraulic motor input on demand

Output dimension

Maximum output torque	Capacity of bearings		Weight without motor	Oil Quantity	Brake torque	Opening pressure	Max. brake pressure
	Cd dynamic [kN]	CO static [kN]					
[Nm]			[kg]	[liters]	[Nm]	[bar]	[bar]
685000	1380	3050	3120	50	4000÷1300	30÷20	300

Effective Reduction Ratio

330.7	373.1	442.3	499
-------	-------	-------	-----



Hydraulic motor input on demand

Output dimension

Maximum output torque	Capacity of bearings		Weight without motor	Oil Quantity	Brake torque	Opening pressure	Max. brake pressure
	Cd dynamic [kN]	C0 static [kN]					
[Nm]			[kg]	[liters]	[Nm]	[bar]	[bar]
865000	1380	3050	3120	50	4000÷1700	30÷20	300
Effective Reduction Ratio							
287	323.8	368.6	415.8	437.7	493.7		

BCH9 ©; 5 ©

©; 5 ©BCH9G

Tutti i contenuti riportati nel presente catalogo sono stati controllati; in caso di eventuali errori viene comunque declinata ogni responsabilità.

Dinamic Oil si riserva la facoltà di modificare senza preavviso i dati tecnici riportati.

Per ulteriori informazioni contattare il servizio tecnico commerciale Dinamic Oil S.p.A.

All information in this catalogue has been checked; in case of possible mistakes, we decline all responsibility.

Dinamic Oil reserves the right to amend the technical data of this catalogue without prior notice.

For all further information please contact Dinamic Oil S.p.A. Commercial Department.



dinamic oil

dinamicoil.com

Dinamic Oil S.p.A.

Via Togliatti, 15
41030 Bomporto - MO - Italy
T: +39 059 812611
F: +39 059 812603
E: info@dinamicoil.it
dinamicoil.com

Dinamic Oil Norway A/S

Lindebergveien, 3
2016 Frogner - Norway
T: +47 63 82 50 40
F: +47 63 82 50 41
E: DinamicOil.Norway@dinamicoil.com

Dinamic Oil India Pvt. Ltd.

Sales Office:
909 (9th Floor) Devika Tower
6-Nehru Place
110019 New Delhi - India
T: +91 (11) 40166567
E: india@dinamicoil.com

Dinamic Oil France

ZI Montbertrand BP 3612
38236 Charvieu Cedex - France
T: +33 (0) 472 462 318
F: +33 (0) 472 462 327
E: dinamicoil@orange.fr

Dinamic Oil North America Inc.

511 Eagleton Downs Drive
Charlotte - NC
28134 - USA
T: +1 704 587 4600
F: +1 980 939 6297
E: info.usa@dinamicoil.com

**Dinamic Oil (Shanghai)
Machinery Co. Ltd.**

Building 2, N°128 Lane 168 Dieqiao Rd.
Kangqiao Industry Park Pudong
201319 Shanghai – China
T: 0086 21 6818 7100
F: 0086 21 6818 7107
E: info@dinamicoil.com.cn

Dinamic Oil Deutschland GmbH

Frankfurter Straße 151 b
D - 63303 Dreieich-Sprendlingen
T: +49 (0) 6103 2024593
F: +49 (0) 6103 8077239
E: verkauf@dinamicoil.de

Dinamic Oil Asia Pacific Pte. Ltd.

47L Tuas South Avenue, 1
637249 - Singapore
T: +65 6791 0802
F: +65 6791 2661
E: sales@dinamicoilap.com.sg

戴纳密克（上海）机械有限公司

中国上海浦东康桥工业园区
叠桥路168弄128号2栋1楼
邮编：201319
电话：0086 21 6818 7100
传真：0086 21 6818 7107
邮件：info@dinamicoil.com.cn